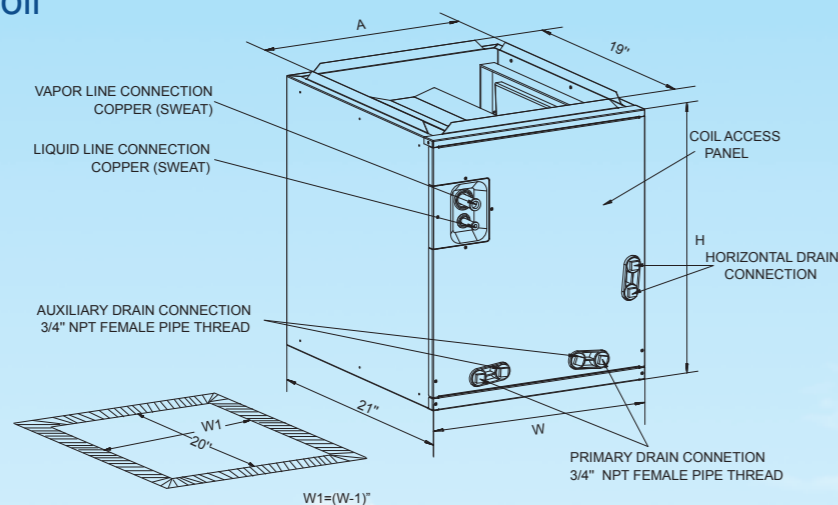


### Cased A Coil



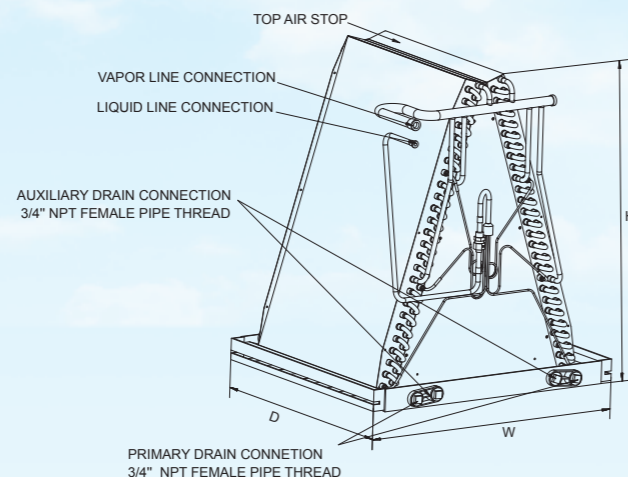
### Cased A Coil



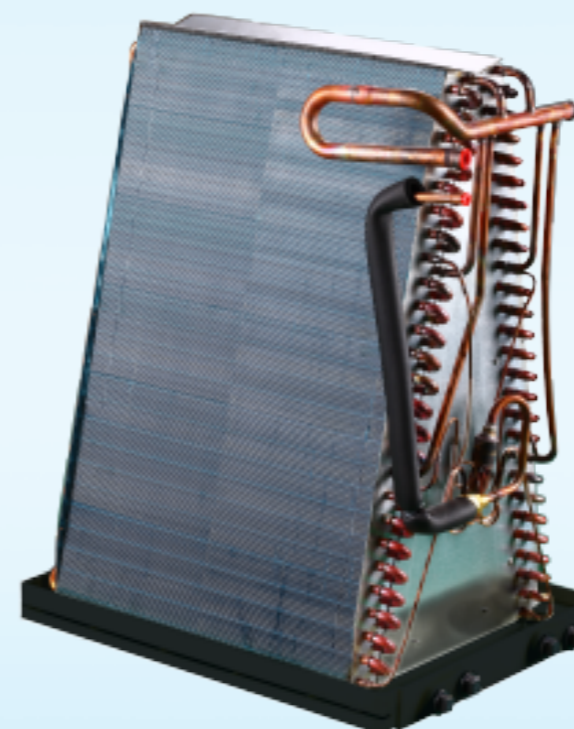
## 14SEER A coil

- **Multi- refrigerant** -Coils are designed for use with R410A and R22 refrigerant
- **High quality heat-exchanger** - Constructed of enhanced aluminum fins and internally grooved copper tubing
- **Insulated Cabinet** -Evaporator coil cabinets are thermally insulated with foil faced insulation to prevent sweating (Cased coil only)
- **Multi-position installation** -Cased coil has two drain pans, can satisfy multi-position installation (Cased coil only)
- **AHRI Listed & UL Certified**

### Uncased A Coil



### Uncased A Coil



GD Midea Refrigeration Equipment Co., Ltd. Is certified under the ISO 9001 International standard for quality assurance. NO.01 100 019209



GD Midea Refrigeration Equipment Co., Ltd. Is certified under the ISO 14001 International standard for environmental management. Certificate NO.CC 1417

#### Commercial Air Conditioner Business Units Midea Group

Add: West region of Midea commercial air conditioner department, Industry Avenue, Beijiao, Shunde, Foshan, Guangdong, P.R.China Postal code:528311  
Tel:+86-757-22390820 Fax:+86-757-23270470  
<http://global.midea.com.cn>  
<http://www.midea.com>

Note:The data in this book may be changed without notice for further improvement on quality and performance.

#### Dealer information



## 14 SEER Cased A Coil Specifications

Sale Model		MCPM1919ANOE	MCPM1919BNOE	MCPM1925ANOE	MCPM1925BNOE	MCPM2531ANOE	MCPM2531BNOE	
Indoor coil	In door coil type	Copper tube and Aluminum fin						
	a.Number of rows	4	4	4	4	4	4	
	b.Tube pitch(a)xrow pitch(b)	mm	21×13.37	21×13.37	21×13.37	21×13.37	21×13.37	21×13.37
	c.Fin spacing	mm	1.5	1.5	1.5	1.5	1.5	1.5
	d.Fin type (code)	hydrophilic aluminium						
	e.Tube outside dia.and type	mm	Φ7	Φ7	Φ7	Φ7	Φ7	Φ7
Indoor unit	Dimension (W×H×D)	inch	14-1/2×26×21	17-1/2×26×21	14-1/2×26×21	17-1/2×26×21	14-1/2×26×21	17-1/2×26×21
	Packing (W×H×D)	inch	17-3/4×28-1/2×25	20-5/8×28-1/2×25	17-3/4×28-1/2×25	20-5/8×28-1/2×25	17-3/4×28-1/2×25	20-5/8×28-1/2×25
	Net/Gross weight	LBS	56/63	57/66	56/63	57/66	56/63	57/66
	Charged refrigerant type		R410a/R22	R410a/R22	R410a/R22	R410a/R22	R410a/R22	R410a/R22
Liquid side/Gas side	inch	3/8 / 3/4	3/8 / 3/4	3/8 / 3/4	3/8 / 3/4	3/8 / 3/4	3/8 / 3/4	
Shipping per STD40HQ		348	298	348	298	348	298	
Drainage pipe outside diameter	inch	RC3/4	RC3/4	RC3/4	RC3/4	RC3/4	RC3/4	
Throttle type		Orifice	Orifice	Orifice	Orifice	Orifice	Orifice	

Sale Model		MCPM3137ANOE	MCPM3137BNOE	MCPM3137CNOE	MCPM4248CNOB	MCPM4860DNOB	
Indoor coil	In door coil type	Copper tube and Aluminum fin					
	a.Number of rows	4	4	4	3	3	
	b.Tube pitch(a)xrow pitch(b)	mm	21×13.37	21×13.37	21×13.37	25.4×22	25.4×22
	c.Fin spacing	mm	1.5	1.5	1.5	1.5	1.5
	d.Fin type (code)	hydrophilic aluminium					
	e.Tube outside dia.and type	mm	Φ7	Φ7	Φ7	Φ9.52	Φ9.52
Indoor unit	Dimension (W×H×D)	inch	14-1/2×26×21	17-1/2×26×21	21×26×21	21×30×21	24-1/2×30×21
	Packing (W×H×D)	inch	17-3/4×28-1/2×25	20-5/8×28-1/2×25	24-1/8×28-1/2×25	24×32-7/8×24-2/5	27-1/2×32-7/8×24-2/5
	Net/Gross weight	LBS	56/63	57/66	62/70.5	83/88	87/92
	Charged refrigerant type		R410a/R22	R410a/R22	R410a/R22	R410a/R22	R410a/R22
Liquid side/Gas side	inch	3/8 / 3/4	3/8 / 3/4	3/8 / 3/4	3/8 / 7/8	3/8 / 7/8	
Shipping per STD40HQ		348	298	228	211	193	
Drainage pipe outside diameter	inch	RC3/4	RC3/4	RC3/4	RC3/4	RC3/4	
Throttle type		TXV	TXV	TXV	TXV	TXV	

Ultimate data changing right reserved by manufacturer.

## 14 SEER Uncased A Coil Specifications

Sale Model		MCUV1919ANOE	MCUV1919BNOE	MCUV1925ANOE	MCUV1925BNOE	MCUV2531ANOE	MCUV2531BNOE	
Indoor coil	In door coil type	Copper tube and Aluminum fin						
	a.Number of rows	4	4	4	4	4	4	
	b.Tube pitch(a)xrow pitch(b)	mm	21×13.37	21×13.37	21×13.37	21×13.37	21×13.37	21×13.37
	c.Fin spacing	mm	1.5	1.5	1.5	1.5	1.5	1.5
	d.Fin type (code)	hydrophilic aluminium						
	e.Tube outside dia.and type	mm	Φ7	Φ7	Φ7	Φ7	Φ7	Φ7
Indoor unit	Dimension (W×H×D)	inch	13-3/8×22-2/5×20-1/2	16-3/8×22-2/5×20-1/2	13-3/8×22-2/5×20-1/2	16-3/8×22-2/5×20-1/2	13-3/8×22-2/5×20-1/2	16-3/8×22-2/5×20-1/2
	Packing (W×H×D)	inch	17-2/3×28-1/7×25	20-3/5×28-1/7×25	17-2/3×28-1/7×25	20-3/5×28-1/7×25	17-2/3×28-1/7×25	20-3/5×28-1/7×25
	Net/Gross weight	LBS	28/32	28/32	28/32	28/32	28/32	28/32
	Charged refrigerant type		R410a/R22	R410a/R22	R410a/R22	R410a/R22	R410a/R22	R410a/R22
Liquid side/Gas side	inch	3/8 / 3/4	3/8 / 3/4	3/8 / 3/4	3/8 / 3/4	3/8 / 3/4	3/8 / 3/4	
Shipping per STD40HQ		350	298	350	298	350	298	
Drainage pipe outside diameter	inch	RC3/4	RC3/4	RC3/4	RC3/4	RC3/4	RC3/4	
Throttle type		Orifice	Orifice	Orifice	Orifice	Orifice	Orifice	

Sale Model		MCUV3137ANOE	MCUV3137BNOE	MCUV3137CNOE	MCUV4248CNOB	MCUV4860DNOB	
Indoor coil	In door coil type	Copper tube and Aluminum fin					
	a.Number of rows	4	4	4	3	3	
	b.Tube pitch(a)xrow pitch(b)	mm	21×13.37	21×13.37	21×13.37	25.4×22	25.4×22
	c.Fin spacing	mm	1.5	1.5	1.5	1.5	1.5
	d.Fin type (code)	hydrophilic aluminium					
	e.Tube outside dia.and type	mm	Φ7	Φ7	Φ7	Φ9.52	Φ9.52
Indoor unit	Dimension (W×H×D)	inch	13-3/8×22-2/5×20-1/2	16-3/8×22-2/5×20-1/2	19-7/8×22-1/5×20-1/2	19-7/8×26-3/4×20-1/2	23-3/8×28×20-1/2
	Packing (W×H×D)	inch	17-2/3×28-1/7×25	20-3/5×28-1/7×25	24-1/5×28-1/2×25	24×30-1/3×24-2/5	27-1/2×30-1/3×24-2/5
	Net/Gross weight	LBS	28/32	28/32	28/32	48/53	50/55
	Charged refrigerant type		R410a/R22	R410a/R22	R410a/R22	R410a/R22	R410a/R22
Liquid side/Gas side	inch	3/8 / 3/4	3/8 / 3/4	3/8 / 3/4	3/8 / 7/8	3/8 / 7/8	
Shipping per STD40HQ		350	298	228	171	171	
Drainage pipe outside diameter	inch	RC3/4	RC3/4	RC3/4	RC3/4	RC3/4	
Throttle type		TXV	TXV	TXV	TXV	TXV	

Ultimate data changing right reserved by manufacturer.